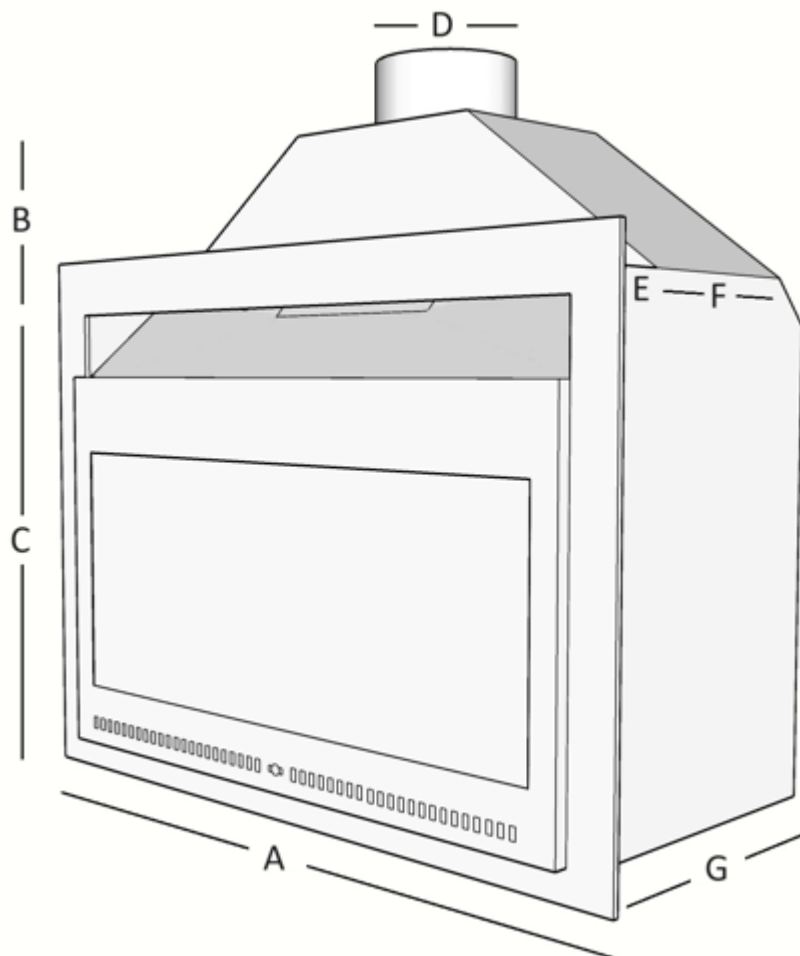


Specifications for Thermo Traditional Build-in Fireplaces



PRODUCT	A=FP width	B=Gather H	C=FP height	D =Flue	E=Lintel	F=Gather D	G=FP depth
MEASUREMENTS GIVEN IN MILLIMETRE							
500	500 mm	220	595	200 ∅	180	220	400
600	600 mm	270	695	200 ∅	210	220	500
700	700 mm	270	695	230 ∅	180	250	500
850	850 mm	270	695	250 ∅	160	270	500
1050	1050 mm	270	795	330 ∅	180	320	500
1200	1200 mm	320	795	350 ∅	230	370	600
1500	1500 mm	320	795	380 ∅	200	400	600
1800	1800 mm	320	795	450 ∅	130	420	600